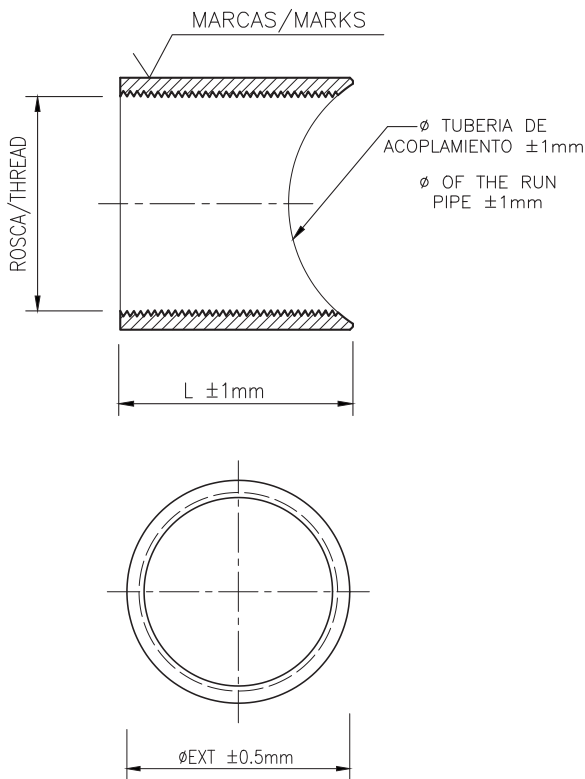




## Threaded OUTLETS



\*Other lengths, sizes and thread lengths under customer demand

Ø NOMINAL	Ø RUN PIPE	Ø EXTERIOR	LENGHT STANDARD
<b>1/2"</b> (DN-15)	1" (DN -25)	26,4	23,0
	1 1/4" (DN-32)	26,4	23,0
	1 1/2" (DN-40)	26,4	23,0
	2" (DN-50)	26,4	23,0
	2 1/2" (DN-65)	26,4	23,0
<b>3/4"</b> (DN-20)	1" (DN-25)	31,7	23,0
	1 1/4" (DN-32)	31,7	23,0
	1 1/2" (DN-40)	31,7	23,0
	2" (DN-50)	31,7	23,0
	2 1/2" (DN-65)	31,7	23,0
<b>1"</b> (DN-25)	3" (DN-80)	31,7	23,0
	1 1/4" (DN-32)	40,0	27,0
	1 1/2" (DN-40)	40,0	27,0
	2" (DN-50)	40,0	27,0
	2 1/2" (DN-65)	40,0	27,0
<b>1 1/4"</b> (DN-32)	3" (DN-80)	40,0	27,0
	4" (DN-100)	40,0	27,0
	1 1/2" (DN-40)	48,3	35,0
	2" (DN-50)	48,3	35,0
	2 1/2" (DN-65)	48,3	35,0
	3" (DN-80)	48,3	35,0
	4" (DN-100)	48,3	35,0
	5" (DN-125)	48,3	35,0
<b>1 1/2"</b> (DN-40)	6" (DN-150)	48,3	35,0
	8" (DN-200)	48,3	35,0
	2" (DN-50)	54,5	35,0
	2 1/2" (DN-65)	54,5	35,0
	3" (DN-80)	54,5	35,0
	4" (DN-100)	54,5	35,0
	5" (DN-125)	54,5	35,0
	6" (DN-150)	54,5	35,0
<b>2"</b> (DN-50)	8" (DN-200)	54,5	35,0
	2 1/2" (DN-65)	66,2	45,0
	3" (DN-80)	66,2	45,0
	4" (DN-100)	66,2	45,0
	5" (DN-125)	66,2	45,0
	6" (DN-150)	66,2	45,0
8" (DN-200)	66,2	45,0	

